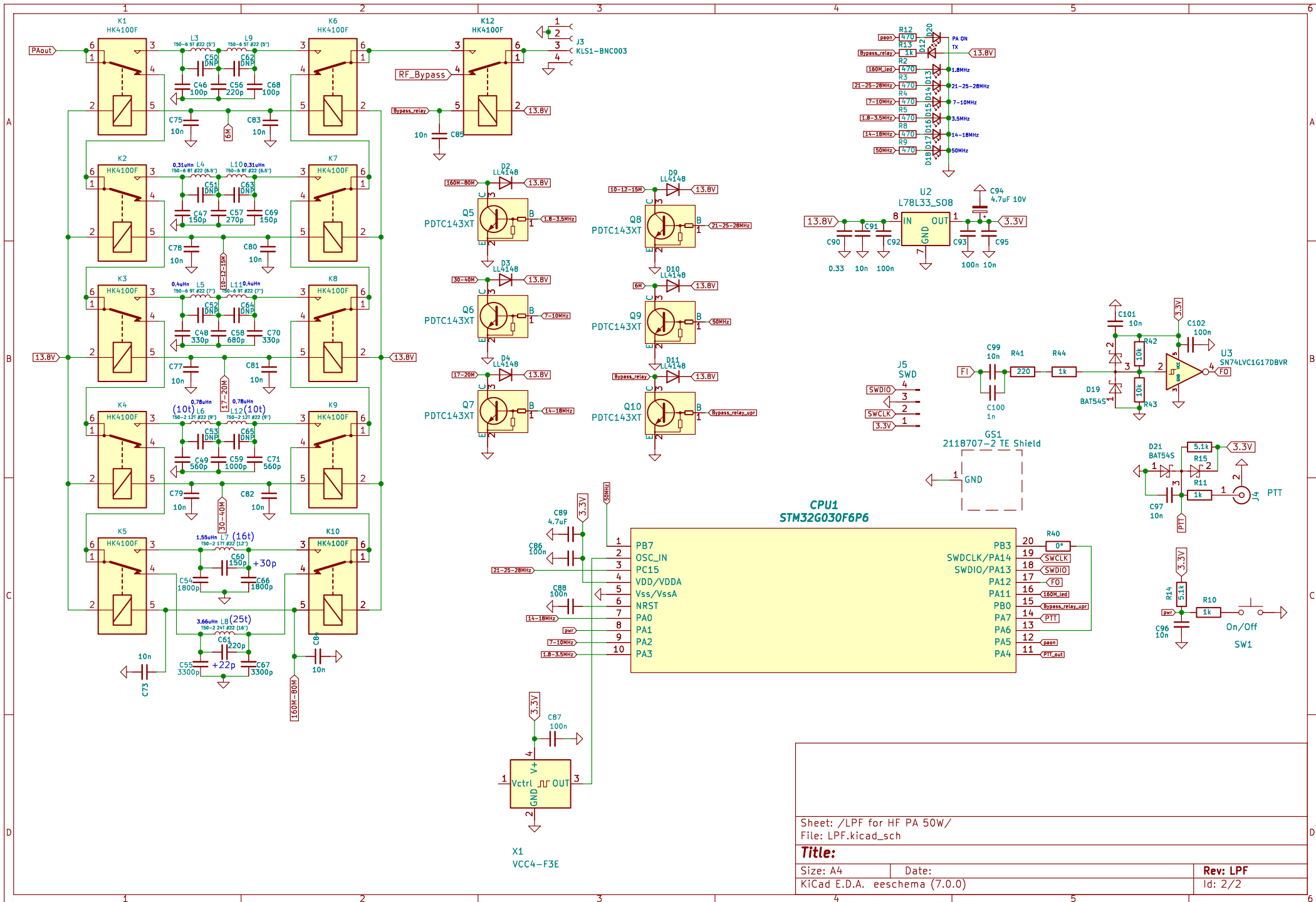


LPF for HF PA 50W
 File: LPF.kicad_sch

Sheet: /	
File: HF50W.kicad_sch	
Title: HF PA 50W	
Size: A4	Date: 2019-03-12
KiCad E.D.A. eeschema (7.0.0)	Rev: Id: 1/2



Sheet: /LPF for HF PA 50W/
 File: LPF.kicad_sch

Title:	
Size: A4	Date:
KiCad E.D.A. eeschema (7.0.0)	Rev: LPF Id: 2/2